

**Glen Innes Pistol Club Inc.**  
**ISSF Open**  
**16<sup>th</sup>, 17<sup>th</sup> & 18<sup>th</sup> September, 2022**

<b>Programme:</b>	<b><u>Friday 16th</u></b>	<b><u>Saturday 17th</u></b>	<b><u>Sunday 18th</u></b>
	Air Pistol	Rapid Fire	Rapid Fire
	Standard Pistol	Standard Pistol	50m Pistol
		Centre/ 25m Prec.	Centre/ 25m Rapid
		Air Pistol	Air Pistol

Rapid-fire entries only accepted up to range capacity

**Entry Fees:** \$10.00 per event for adults. Juniors \$7.00 for all matches.  
 Fees payable to **Glen Innes Pistol Club Inc.**

**EFT Details:** OR  
 Account Name : Glen Innes Pistol Club Inc  
 Account Number : 2800-6417  
 BSB: 062-542  
**Please put your full name in the Reference Field for identification**

**Closing Date:** 7<sup>th</sup> September, 2022

**Conditions:** Subject to local conditions. ISSF rules will apply. Spot checks of pistols may occur. **EYE AND EAR PROTECTION AND ENCLOSED FOOTWEAR MUST BE WORN**

**COVID 19:** All recommended COVID-19 safety protocols at the time of the competition will be adhered to. If you feel unwell, do not attend. **Please bring your own Bench mat / towel.**

**Catering:** Canteen facilities all day including Breakfast and Lunch both days. A two course Roast Dinner at the Pistol Club Saturday night at a cost of \$15 per head (Juniors under 15 - \$7.50)

**Trophies:** 1<sup>st</sup>, 2<sup>nd</sup> & 3<sup>rd</sup> in all grades in each event. Men's, Ladies and Junior Aggregate (**must be a minimum of 2 Juniors competing**) – a \$50 Shop Voucher provided by Potter Firearms. A \$1,000 Shop Voucher is also offered by Potters for any Competitor who can break Bruce Quick's Glen Innes Aggregate Record of 2,839 set at the September 2017 Open.

**Camping:** Power is available at a cost of \$2. Per night per person for those connecting to mains power payable with entry fee

**Glen Innes Pistol Club Inc.**  
**ISSF Open**  
**16<sup>th</sup>, 17<sup>th</sup> & 18<sup>th</sup> September, 2022**

Name .....  
 Address .....  
 ..... Postcode .....  
 Phone No ..... Club.....  
 E-mail .....Licence No.....  
 Junior Shooters – Date of Birth .....

I wish to enter the following:

	Grade		Grade
Standard Pistol	<input type="checkbox"/>	**25m Pistol Women	<input type="checkbox"/>
Rapid Fire	<input type="checkbox"/>	Ladies Air Pistol	<input type="checkbox"/>
50m Pistol	<input type="checkbox"/>	Junior Air Pistol	<input type="checkbox"/>
**Centre Fire	<input type="checkbox"/>	25m Pistol- Junior	<input type="checkbox"/>
Air Pistol	<input type="checkbox"/>	**Men's Sport Pistol	<input type="checkbox"/> <b>Ungraded</b>

**\*\* Please enter one match only of Centre Fire or 25m/Sport Pistol**  
 Special Requests/Shared Pistols .....

Please tick where appropriate:

- I will be available to Shoot Standard or Air Friday Afternoon
- I am a qualified range officer (ISSF.)
- Saturday night dinner at the Pistol Club –Number of meals.....
- I/we will be camping on range for .....nights. No.of Persons .....
- I/we will be attending RSL Friday night dinner. No.of Persons .....

**Entry Fees** \$.....  
**Meals** \$.....  
**Electricity Contribution** \$.....  
**Total Enclosed** \$.....

**By submitting your entry, you certify that you are capitated to NSWAPA or other Australian State Body affiliated with Pistol Australia**  
**I have read and will abide by the conditions of entry regarding COVID-19 Safety Protocols.**

Signed .....  
 Send nomination forms to: The Organising Secretary  
 8 Crestview Place,  
 INVERELL. NSW 2360

### MOTELS

Amber	Meade St Glen Innes	(02) 6732 2300
Glen Haven	Church St Glen Innes	(02) 6732 3266
Anna Bella	Church St Glen Innes	(02) 6732 2688
Glen Innes Motel	Church St Glen Innes	(02) 6732 1211
Central Motel	Meade St Glen Innes	(02) 6732 2200
New England Motor Lodge	Church St Glen Innes	(02) 6732 2922

### HOTELS

Great Central Hotel	Grey St Glen Innes	(02) 6732 1966
Club Hotel	Grey St Glen Innes	(02) 6732 3043
Imperial Hotel	Grey St Glen Innes	(02) 6732 1173

### CARAVAN PARKS

The Fossicker	Church St Glen Innes	(02) 6732 4246
Glen Rest Caravan Park	Church St Glen Innes	(02) 6732 2413
Poplar Caravan Park	Church St Glen Innes	(02) 6732 1514

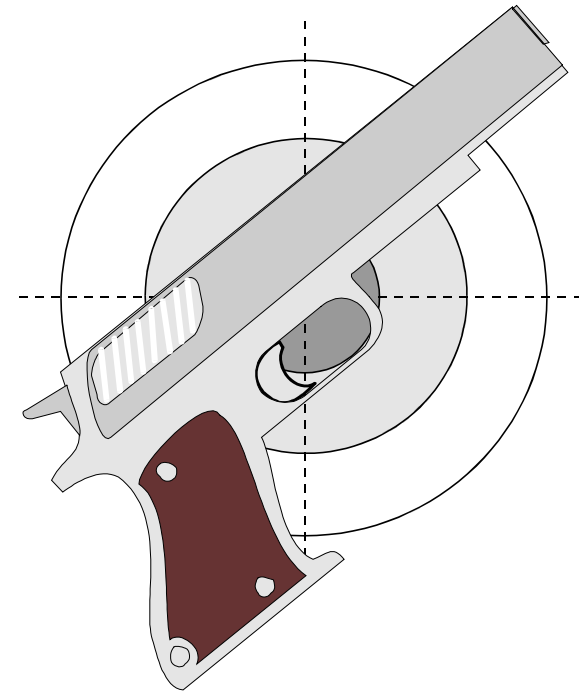
## *Glen Innes Pistol Club Inc.*

**ISSF Open**

**16<sup>th</sup>, 17<sup>th</sup> & 18<sup>th</sup> September, 2022**

**Bradleys Lane**

**Glen Innes. NSW 2370**



**ORGANISING SECRETARY**

**Wayne Unicomb**

**Phone 0267210470**

**0427891953**

[www.gleninnespistolclub.org.au](http://www.gleninnespistolclub.org.au)

E-mail [gleninnespistolclub@gmail.com](mailto:gleninnespistolclub@gmail.com)